

User Manual

GM5XG5E

GM5XG0E

GM5XG7E



Notice

The information in this user's manual is protected by copyright laws, all parts of this manual, including the products and software described in it, can not be reproduced, transmitted, transcribed, stored in a retrieval system, nor translated into any language.

THE MANUFACTURER OR RESELLER SHALL NOT BE LIABLE FOR ERRORS OR OMISSIONS CONTAINED IN THIS MANUAL AND SHALL NOT BE LIABLE FOR ANY CONSEQUENTIAL DAMAGES, WHICH MAY RESULT FROM THE PERFORMANCE OR USE OF THIS MANUAL.

The illustrations in this user's manual are for reference only. Actual product specifications may vary with territories.

The information in this user's manual is subject to change without notice.

TABLE OF CONTENTS

Notice	2
Preface	5
1.1 Regulations Information.....	6
1.2 Safety Instructions	9
1.3 Conventions for this Manual	10
1.4 Release History	11
Getting to know the basics	12
2.1 Product Specification.....	13
2.2 Preparing your Computer	17
2.3 Product Overview	18
Getting started	27
3.1 AC Adapter	28
3.2 Knowing the Keyboard	29
3.2.1 For keyboard users.....	30
3.3 Using the touchpad / clickpad.....	33
BIOS setup	34

4.1 About BIOS Setup	35
4.1.1 When to Use BIOS Setup ?	35
4.1.2 How to Run BIOS Setup ?	35
4.2 BIOS Setup Menu.....	36
4.2.1 Main Menu.....	37
4.2.2 Advanced Menu	39
4.2.3 Security Menu.....	41
4.2.4 Boot Menu	43
4.2.5 Exit Menu.....	44

Chapter 1

Preface

1.1 Regulations Information

α CE compliance

This device is classed as a information technology equipment (ITE) in class B and is intended for use in living room and office. The CE-mark approves the conformity by the EU-guidelines:

- EMC Directive 2014/30/EU,
- Low Voltage Directive 2014/35/EU
- RF Directive 2014/53/EU



Rechargeable Battery Notice

Do not

1. Throw into fire or a hot oven, or mechanically crush or cutting of a BATTERY
2. Throw or immerse into water
3. Heat to more than 60°C
4. Repaire or disassemble
5. Leave in an extremely low air pressure environment
6. Leave in an extremely high-temperature environment

A power cord is connected to a socket-outlet with earthing connection.



The unit can be operated at an ambient temperature of max. 35°C (95°F). Do not subject it to temperatures below 5°C (41°F) or above 40°C (104 °F).

CAUTION: RISK OF EXPLOSION IF BATTERY IS REPLACED BY AN INCORRECT TYPE DISPOSE OF USED BATTERIES ACCORDING TO THE INSTRUCTIONS.



PREVENTION OF HEARING LOSS

CAUTION: Listening to music at high volume levels and for extended durations can damage one’s hearing. In order to reduce the risk of damage to hearing, one should lower the volume to a safe, comfortable level, and reduce the amount of time listening at high levels. Headsets should comply with EN 50332-2 requirements.



FCC Information

FEDERAL COMMUNICATIONS COMMISSION INTERFERENCE STATEMENT

This equipment has been tested and found to comply with the limits for a Class B digital device, pursuant to part 15 of the FCC Rules. These limits are designed to provide reasonable protection against harmful interference in a residential installation. This equipment generates, uses and can radiate radio frequency energy and, if not installed and used in accordance with the instructions, may cause harmful interference to radio communications. However, there is no guarantee that interference will not occur in a particular installation. If this equipment does cause harmful interference to radio or television reception, which can be determined by turning the equipment off and on, the user is encouraged to try to correct the interference by one or more of the following measures:

- Reorient or relocate the receiving antenna.
- Increase the separation between the equipment and receiver.
- Connect the equipment into an outlet on a circuit different from that to which the receiver is connected.
- Consult the dealer or an experienced radio/ TV technician for help.



CAUTION: Any changes or modifications not expressly approved by the grantee of this device could void the user's authority to operate the equipment.

This device complies with Part 15 of the FCC Rules. Operation is subject to the following two conditions:

- (1) this device may not cause harmful interference, and
- (2) this device must accept any interference received, including interference that may cause undesired operation.



CAUTION: Any changes or modifications not expressly approved by the grantee of this device could void the user's authority to operate the equipment.

1.2 Safety Instructions



- 1** Do not apply heavy pressure to the computer or subject it to any form of strong impact as this can damage the computer's components or otherwise cause it to malfunction.
- 2** Never cover or block the air vents including those located at the base of the computer. Never cover your computer or AC adapter with any object.
- 3** To keep your computer in prime operating condition, protect your work area from direct sunlight.
- 4** Do NOT expose to or use near liquid, rain, or moisture.
Do NOT use the modem during electrical storms.
- 5** Do not use or expose this device around magnetic fields as magnetic interference may affect the performance of the device.

1.3 Conventions for this Manual



CAUTION : This message contains important information that must be followed for safe operation.



NOTE : This message contains information for special situations.

1.4 Release History

Version	Date	Revision
1.0	06/2023	Initial release
.....		
.....		

Chapter 2

Getting to know the basics

2.1 Product Specification

This User's Manual provides technical information of instructions and illustrations on how to operate this notebook for the customer. Please read this manual carefully before using this notebook.

· Physical Characteristic

■ Dimension

360.2*243.5 *26.7 mm

2.1kg +/- 5% TBD (depend upon the actually shipping product)

· CPU

■ Support Processor

AMD Phoenix

· GPU

■ Support Processor

NVIDIA RTX4050 (GM5XG5E)

NVIDIA RTX4060 (GM5XG0E)

NVIDIA RTX4070 (GM5XG7E)

· Memory

■ RAM

DDR5 4800MHz

· Display

■ LCD

15.6" FHD or QHD, 16:9,(Narrow)

1920*1080 or 2560*1440

· I/O Port

DC-in	x 1	
USB	USB Type A @Right side x2: USB Type A @Left side x1 USB Type C @Rear side x1 (Data Transfer only)	
RJ45	x 1	
HDMI	x 1 (HDMI 2.1)	
Mini DP	x 1	
Mic / Audio Combo	x 2	
Card reader	x 1	-USB interface, SD/SDHC/SDXC, UHS-I speed -Connector: Full SD size

· Audio

■ Codec: Realtek ALC256

*Azalia standard support

*D3 mode support

■ Speaker/MIC

Build-in 2 speakers

Speaker : 2W/each

Digital Microphone support

· Webcam

- Infrared capability for facial recognition camera

HD webcam with D-MIC*1

· Communication Port

- Wireless LAN +BT

M.2 2230 w/ PCIE interface (AMD Wi-Fi 6E RZ608)

IEEE802.11 a/b/g/n/ac/ax support

· Input

- Keyboard

Membrane single zone RGB backlight support

340*109.2*3.6mm

- Pointing Device

TDA1470 (114.5*70*0.8mm)

TP mylar

Enable/Disable area :10mmx10mm

Palm Rejection:Support

· Power

■ AC Adapter

Automatics Voltage adjustment between 100 and 240VAC 50/60Hz,

230 Watts (19.5V/11.8A) · 3 Pins

240 Watts (20V/12A) · 3 Pins

■ Battery

Li- polymer Battery, SW Gas Gauge IC, soft pack, (Depend upon the actually shipping product)

1. 3 cells (3s1p 4100 mAh) 46.74Wh or

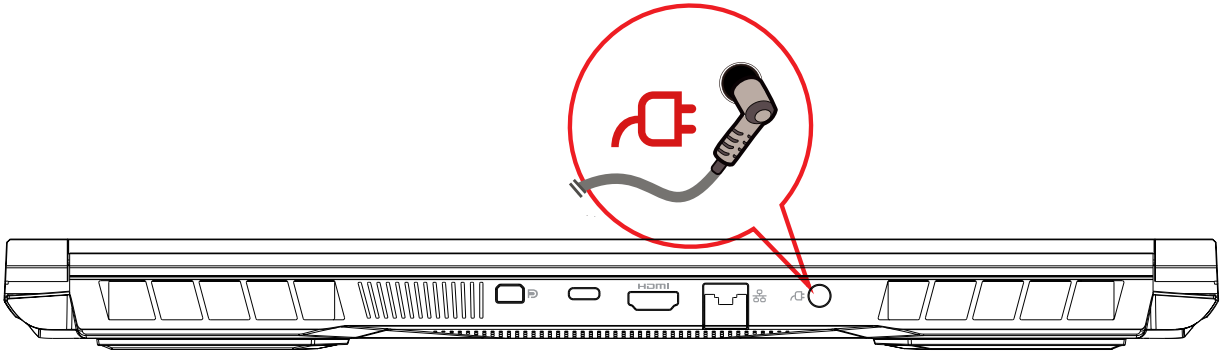
2. 4 cells (4s1p 4100 mAh) 62.32Wh



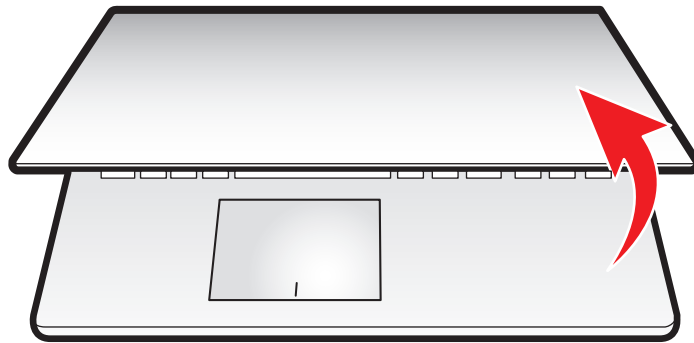
CAUTION: MODEL IS DESIGNED TO USE WITH THE
DC INPUT: 230 Watts (19.5V/11.8A) or 240 Watts (20V/12A)
· 3 Pins

2.2 Preparing your Computer

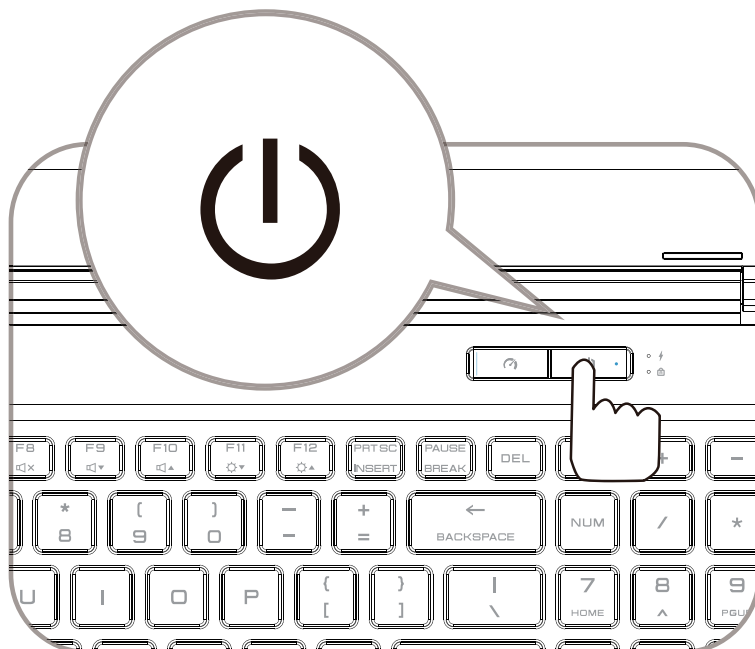
- A** Connect the AC adapter's DC output plug to the DC IN jack.



- B** The display panel can be opened to a wide range of angles for optimal viewing.



- C** Press the power button to turn on your notebook computer.



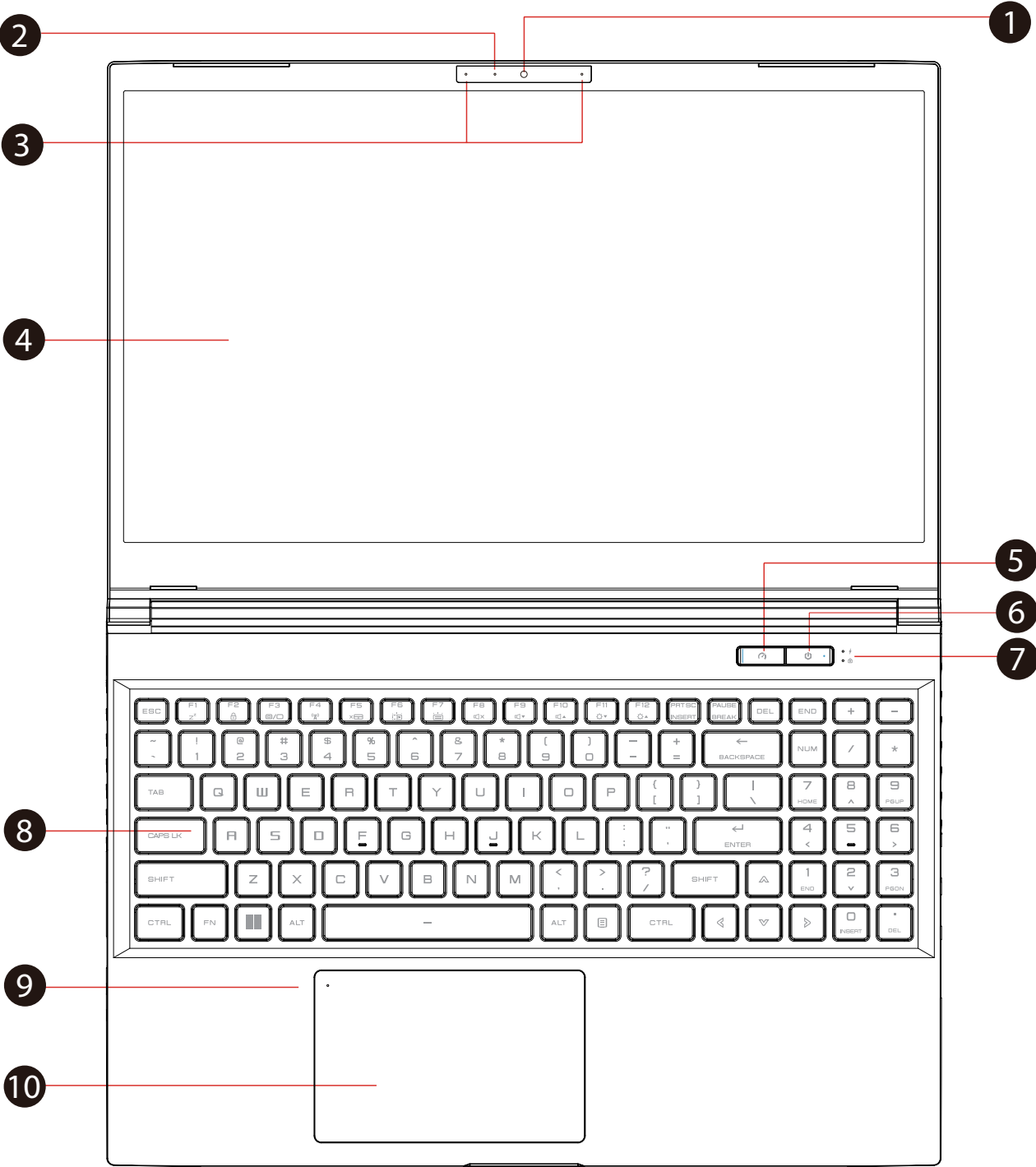
2.3 Product Overview

Please become familiar with each component before you operate the computer.

Top-Open View



NOTE: The product's color/ LED color, I/O port, indicator location, and specification will depend upon the actually shipping product.



1

Microphone

Built-in microphones.

2

Camera

A device that allows you to record video or take photographs with your computer.

3

Camera Status LED

The Camera Status LED shows the Camera status.

4

LCD screen

Displays of your notebook computer.

5

Turbo / Balance / Office Mode Switch

Office mode: LED Off

Balance mode: White (Faint Light)

Turbo mode: Both White (Bright)

6

Power Button

Press this button to turn the computer's power on or off.

Power ON: White

Suspend: White , Slow / Smooth, Blinking White (3Sec/Cycle)

Power Off: OFF



CAUTION: When you are not using the computer, keep the LCD-screen closed to protect it from dust.

7 Charging & Battery indicator

Charging(Power ON): White flash

Charging(Power Off): White flash

Battery Low (<6%): Orange flash

Charging finish (w/AC): Off ,(w/o AC): Off

Caps Lock Status LED

ON (White)

8 Keyboard

The keyboard provides keys with comfortable travel

(The keyboard legend will depend on the spec / region)

9 Touchpad LED indicator/ Touchpad switch

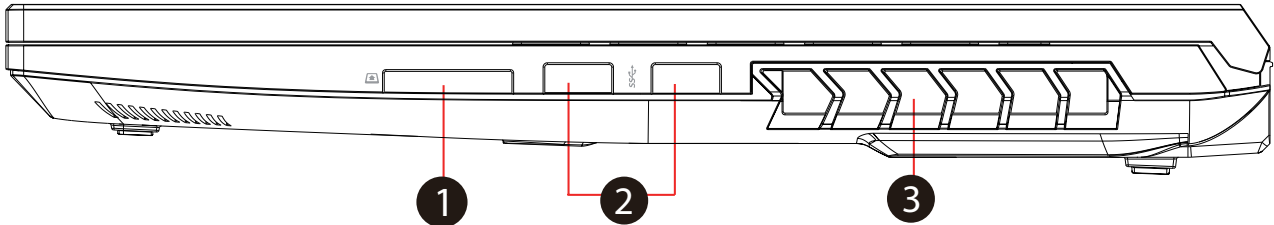
Click twice will open or close touchpad functionality

(Please see 3.3 Using the touchpad / clickpad instructions)

10 Touchpad/Click pad

Touch-sensitive pointing device which functions like the mouse.

Right Side View



1

Card Reader

-USB interface, SD/SDHC/SDXC, UHS-I speed

-Connector: Full SD size

2

USB Port

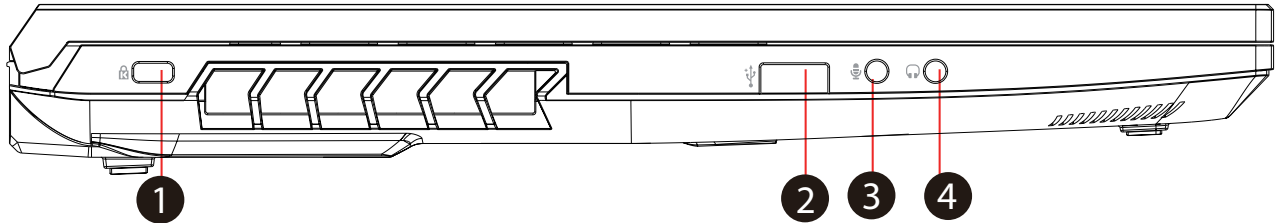
Connects an USB device (such as USB Zip drive, keyboard or mouse) into this jack. With charging function.

3

Vents

The thermal vents are designed to cool the internal components and avoid overheating.

Left Side View



1 Kensington® Lock Port

To be secured using Kensington® Lock Port security products.

2 USB Port

Connects an USB device (such as USB Zip drive, keyboard or mouse) into this jack. With charging function.


3 Mic In Jack

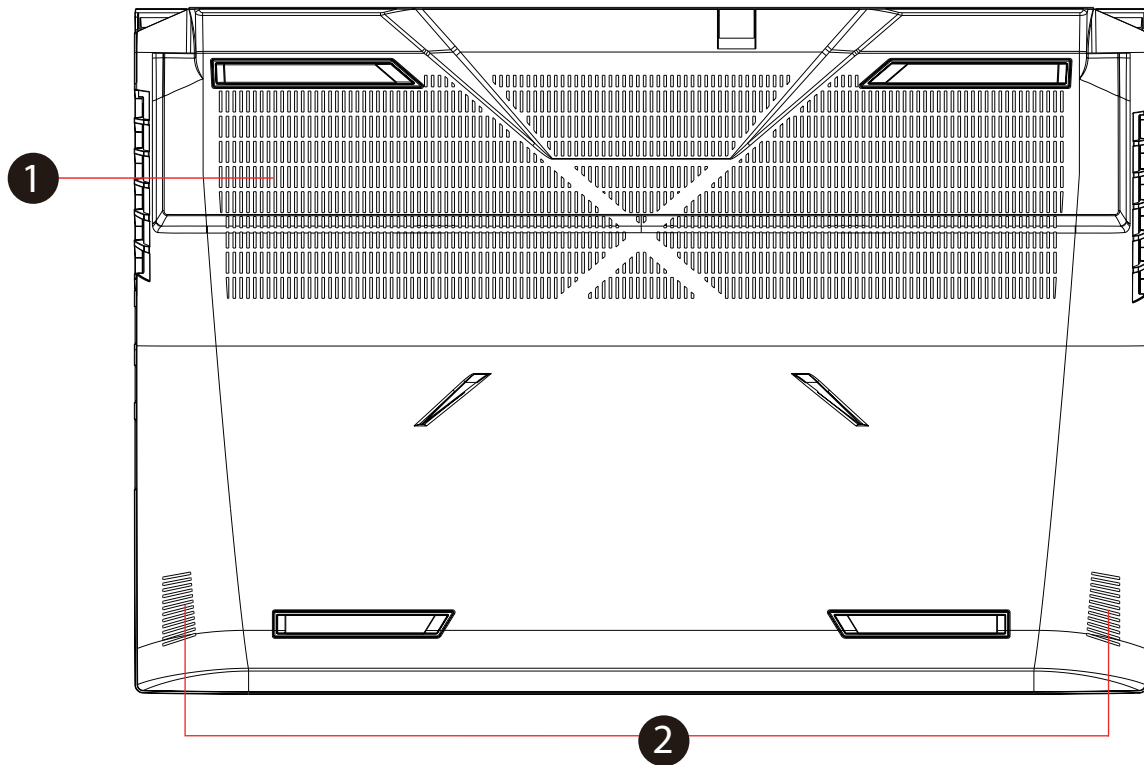
Connects amplified speakers into this jack.

4 Audio Combo

Connect the 3.5mm audio combo jack/ headphones to this port.

Bottom Side View


 NOTE : The product's thermal vent will depend upon the actually shipping product.



1 Vents

The thermal vents are designed to cool the internal components and avoid overheating.

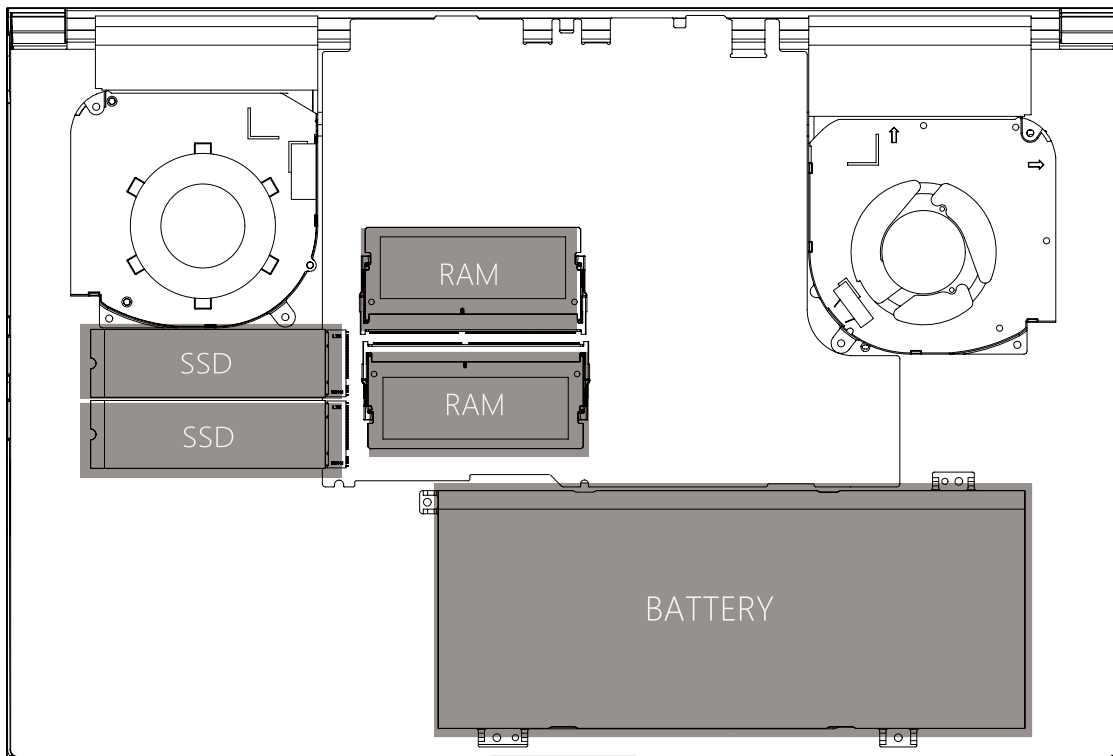
2 Speaker

 CAUTION: To reduce the possibility of heat-related injuries or of overheating the computer, do not place the computer directly on your lap or obstruct the computer air vents. Use the computer only on a hard, flat surface. Do not allow another hard surface, such as an adjoining optional printer, or a soft surface, such as pillows or rugs or clothing, to block airflow. Also, do not allow the AC adapter to come into contact with the skin or a soft surface, such as pillows or rugs or clothing, during operation.

Compartment View

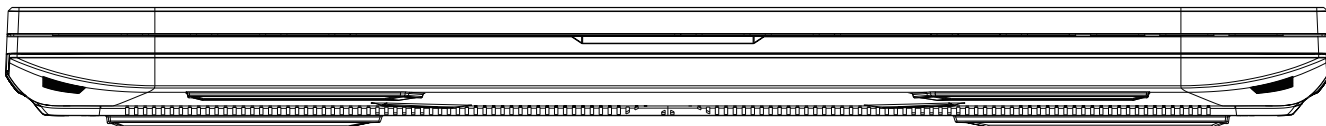


NOTE: Specification will depend upon the actually shipping product.

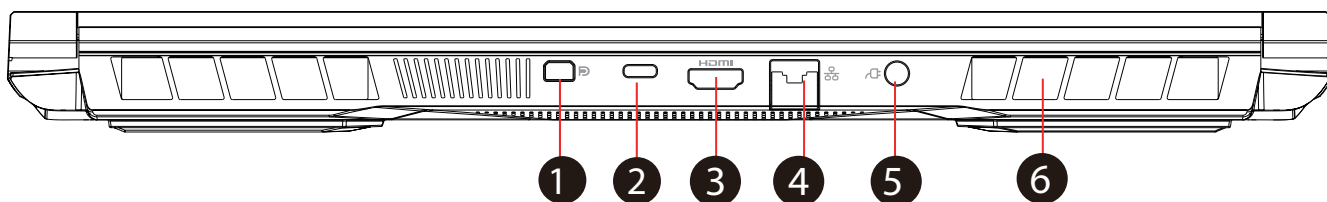


If need to upgrade SATA SSD to PCIE SSD,
Please contact technical support and after-sales service .

Front Side View



Back Side View



- 1 Mini Display Port**
Supports high-definition digital video connections.

- 2 USB Port (Type C)**
Connects an USB device.
(such as USB Zip drive, keyboard or mouse) into this jack.

3

HDMI port

Connected to the screen, or home theater system.

4

Network Jack

This jack lets you connect to a LAN.

5

Power Connector

Connects the AC adapter into this connector.

6

Vents

The thermal vents are designed to cool the internal components and avoid overheating.

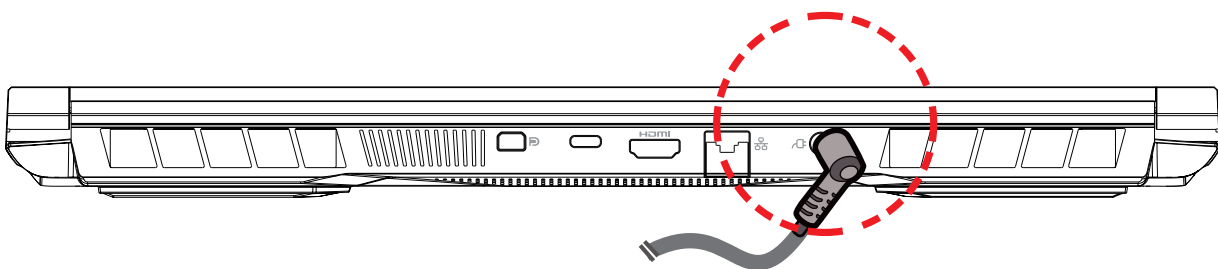
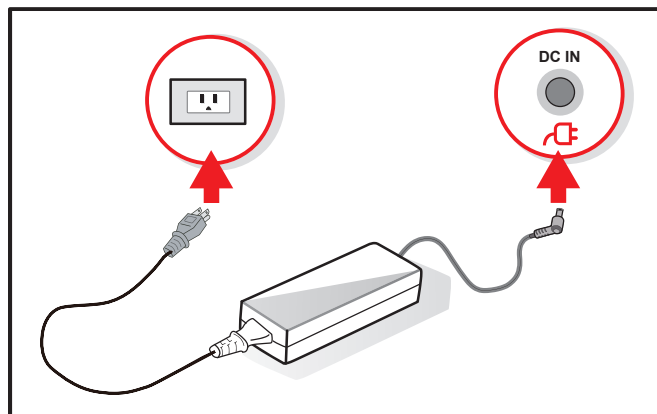
Chapter 3

Getting started

3.1 AC Adapter

Please be noted that it is strongly recommended to connect the AC adapter and use the AC power while using this notebook for the first time. When the AC adapter is connected, the battery is being charged immediately. Attach the AC adapter when you need to charge the battery or you want to operate from AC power. It is also the fastest way to get started, because the battery pack will need to be charged before you can operate from battery power.

Note that the AC adapter included in the package is approved for your notebook; using other adapter model may damage either the notebook or other devices attached to it.



CAUTION: The use of inferior extension cords may result in damage to your notebook. Your notebook comes with its own authorized AC adapter. Use of a different AC adapter or cable extension which is not authorized for use will void warranty protection if damage to hardware is found in association to said adapter or extension cable.

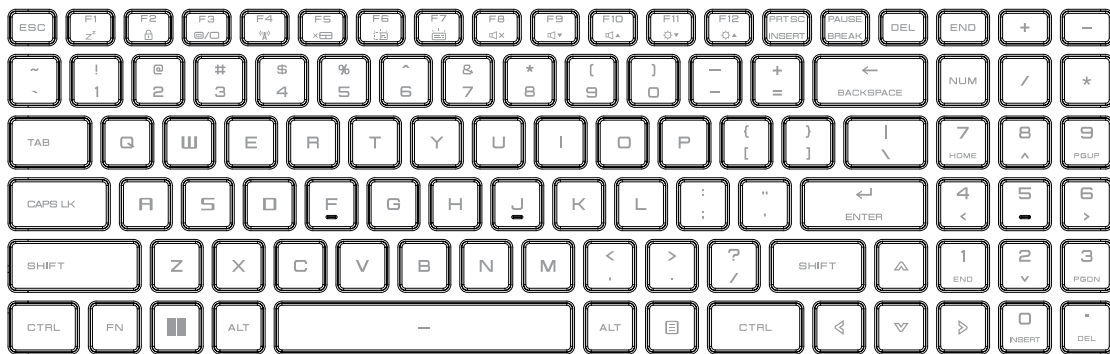


NOTE: The power adapter can become hot when in use. Please be sure the AC adapter is not covered with any materials keep it away from exposed parts of your body. The AC adapter appearance may vary depending on your region.

3.2 Knowing the Keyboard

The following defines the hot keys on the Keyboard.

The commands can only be accessed by first pressing and holding the function key while pressing a key with a command.


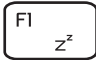



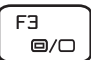






NOTE: The design of the number of keys available on the keyboard, printing color or backlight depends on the country (region) in which the keyboard was designed and built.















3.2.1 For keyboard users

To activate these functions, press the hot key associated with the desired function as below :

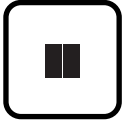
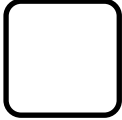
Function Keys

Keypad	Function Description
 +  Suspend:	Press this key combination (Fn+F1) to enter sleep mode.
 +  Windows Lock/On:	Press this key combination (Fn+F2) to turn Windows Lock/On .
 +  Display mode:	Press this key combination (Fn+F3) to enable Display Mode.
 +  RADIO On/Off:	Press this key combination (Fn+F4) to turn all radios on or off.
 +  Touch pad On/Off:	Press this key combination (Fn+F5) to On/Off Touch pad mode.

Function Keys

Keypad	Function Description
 +  Keyboard Brightness down:	Press this key combination (Fn+F6) to decrease brightness of Keyboard.
 +  Keyboard Brightness up:	Press this key combination (Fn+F7) to increase brightness of Keyboard.
 +  MUTE:	Press this key combination (Fn+F8) to enter MUTE mode.
 +  Volume down:	Press this key combination (Fn+F9) to enter Volume down mode.
 +  Volume up:	Press this key combination (Fn+F10) to enter Volume up mode.
 +  Brightness down:	Press this key combination (Fn+F11) to decrease brightness of LCD display.
 +  Brightness up:	Press this key combination (Fn+F12) to increase brightness of LCD display.

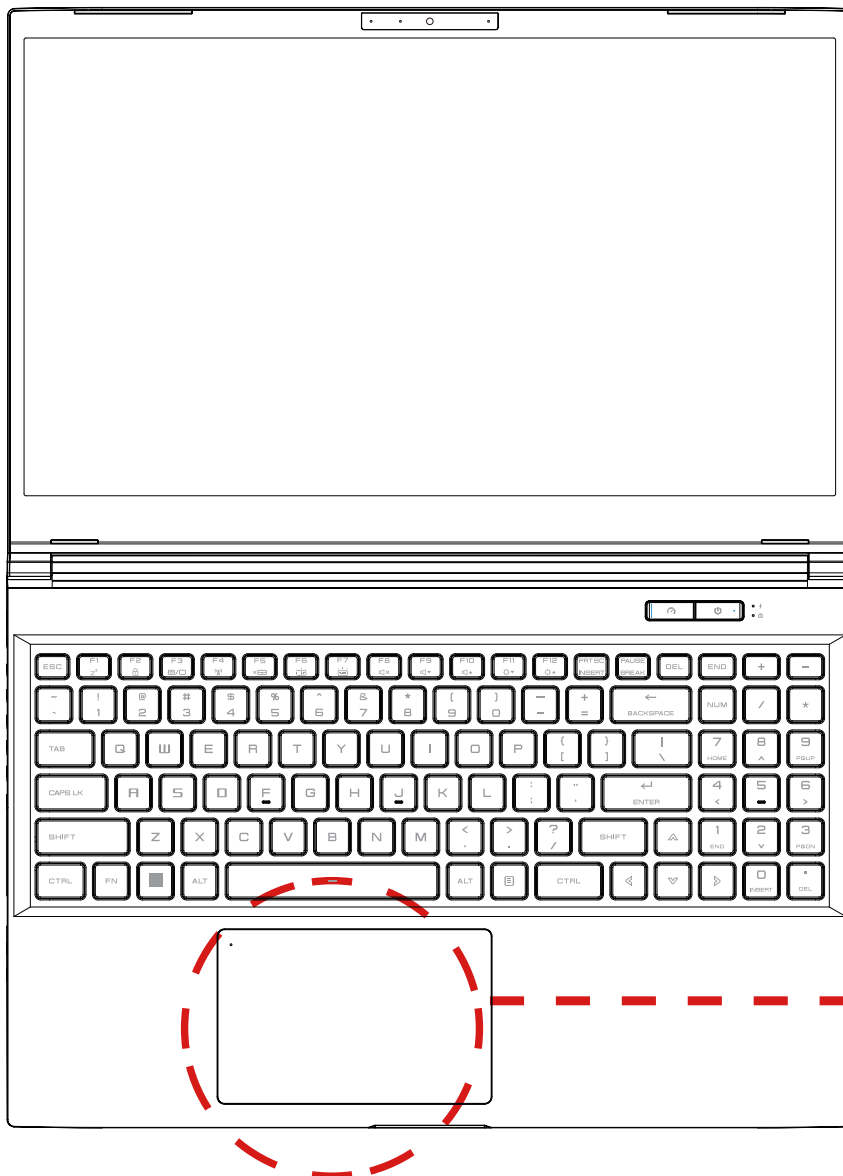
Function Keys

Keypad	Function Description
 +  Search Charm : (Optional)	<p>For a full list of Windows keyboard shortcuts, please visit the Microsoft official website</p> <p>https://support.microsoft.com/en-us/</p>

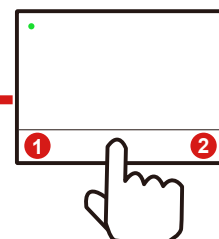
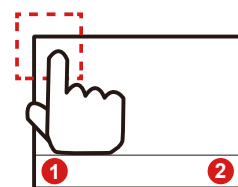
3.3 Using the touchpad / clickpad

The touchpad / clickpad is a rectangular electronic panel located just below your keyboard. Click twice left corner will open or close (Green light) touchpad functionality. You can use the static-sensitive panel of the touchpad / clickpad and slide it to move the cursor. You can use the buttons below the touchpad as left and right mouse buttons.

Press the left ① and right ② buttons located on the edge of the touchpad / clickpad to make selections and run functions. These two buttons are similar to the left and right buttons on a mouse. Tapping on the touchpad / clickpad produces similar results.



Click twice will open or close (light) touchpad functionality



Chapter 4

BIOS setup

4.1 About BIOS Setup

4.1.1 When to Use BIOS Setup ?

You may need to run the BIOS Setup when:

- An error message appears on the screen during the system booting up and is requested to run SETUP.
- You want to change the default settings for customized features.
- You want to reload the default BIOS settings.

4.1.2 How to Run BIOS Setup ?

To run the BIOS Setup Utility, turn on the notebook and press the [Del] key during the POST procedure.

If the message disappears before you respond and you still wish to enter Setup, either restart the system by turning it OFF and ON, or simultaneously pressing [Ctrl]+[Alt]+[Del] keys to restart.

Be noted that the screen snaps and setting options in this chapter are for your references only. The actual setting screens and options on your Notebook may be different because of BIOS update.

The setup function only can be invoked by pressing [Del] or [F2] key during POST that provide a approach to change some setting and configuration the user prefer, and the changed values will save in the NVRAM and will take effect after the system rebooted. The setup uses a menu interface to allow the user to configure their system and the features are briefly listed as follow.

Press [F7] key for Boot Menu.



NOTE : The drivers, BIOS and utilities bundled in the support DVD may vary by models and are subject to change without notice.

4.2 BIOS Setup Menu

Once you enter the BIOS Setup Utility, the Main Menu will appear on the screen. Select the tags to enter the other menus.

Main Menu

Show system overview about memory size and setting of system time and date.

Advanced Menu

To select the XD feature enable or disable XD feature only work with Intel platform + Windows.

Security Menu

Install or clear the password settings for supervisor and user.

Boot Menu

Configure Settings during System Boot.

EXIT Menu

Save or discard the changes before leaving the BIOS Setup Menu.

4.2.1 Main Menu



- System Time

This item allows you to set the system time. There is a small internal (CMOS) battery which is designed to maintain your system clock. It is designed to maintain time even when the PC is powered down or in sleep mode. The time format is [hour:minute:second].

Use [+] or [-] to configure system Time.

- System Date

This item allows you to set the system date. The date format is [day:month:date:year].

Use [ENTER], [TAB] or [SHIFT-TAB] to select a field.

Day	Day of the week, from Sun to Sat, which is determined by BIOS (read-only).
Month (Month)	The month from 01 (January) to 12 (December).
Date (Date)	The date from 01 to 31.
Year (Year)	The year can be adjusted by users.

- Processor Type

Brand information of installed processor

- Processor Speed

Current Processor Speed, unit is MHz

- Total Memory

This allows you to see the total amount of memory

- Memory Frequency

Current Memory Speed, unit is MHz

4.2.2 Advanced Menu



- Wake on LAN/WLAN

Enable/Disable integrated LAN and WLAN to wake system.

- Fn Lock for F1 to F12

If FnLock is Enabled, Fn functions (Audio, Brightness etc.) become primary functions. F1/F12 functions can still be used via Fn Hotkey. Enabling/Disabling FnLock with Fn+Esc in OS overrides this BIOS setting.

- NVME Device
NVME SSD info will be displayed

- NVME RAID mode
Enable or disable NVMe RAID mode

- Operating mode
Operating Mode includes the Fan Speed and CPU power level setting to optimize overall performance and heat dissipation

.

4.2.3 Security Menu



· Change Administrator Password

When this item is selected, a message box shall appear on the screen as below:

Enter New Password

Type a maximum of 20-digit password and press [Enter].

The password typed now will replace any previously set password from CMOS memory. You may also press [ESC] to abandon new password setting. It is extremely important to keep record for any BIOS password which is set as it can not be reset even with the removal of a CMOS battery for the security of your PC.

Select Change User Password to give or to abandon password setting same as Change Administrator Password item above.

Note that Administrator Password field allows users to enter and change the settings of the BIOS SETUP UTILITY, while User Password field only allows users to enter the BIOS SETUP UTILITY without having the authorization to make any change.

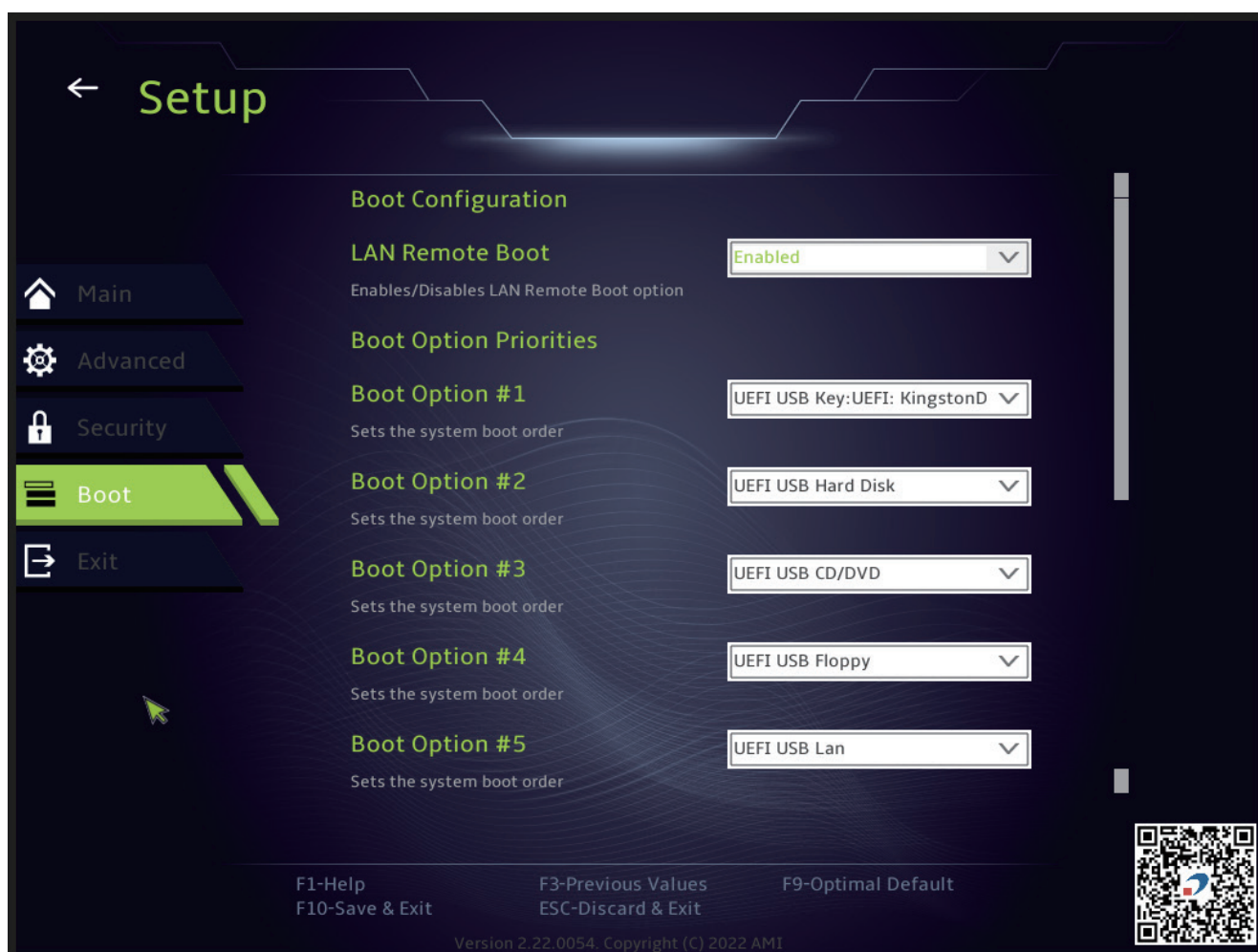
The Password Check item is used to specify the type of BIOS password protection that is implemented.

To clear a set Administrator Password/ User Password, just press [Enter] under Change Administrator Password/ Change User Password field when you are prompted to enter the password. A message box will pop up confirming password will be disabled. Once the password is disabled, the system will boot and user can enter setup without entering password.

Key Management:

Enables expert user to modify Secure Boot Policy variables without full authentication.

4.2.4 Boot Menu



- **Boot Configuration**
Configure Settings during System Boot.
- **Set Boot Priority (1st/2nd/3rd/..... Boot)**
Specifies the boot sequence from the available devices.
A device enclosed in parenthesis has been disabled in the corresponding type menu.
- **Hard Disk Drive / USB HardDisk Drive**
Specifies the Boot Device Priority sequence.

4.2.5 Exit Menu



- Save Changes and Reset
Exit system setup after saving the changes.F10 key can be used for this operation.
- Discard Changes and Exit
Exit system setup without saving any changes.
ESC key can be used for this operation.
- Restore Defaults
Restore/Load Defaults values for all the setup options.F9 key can be used for this operation.